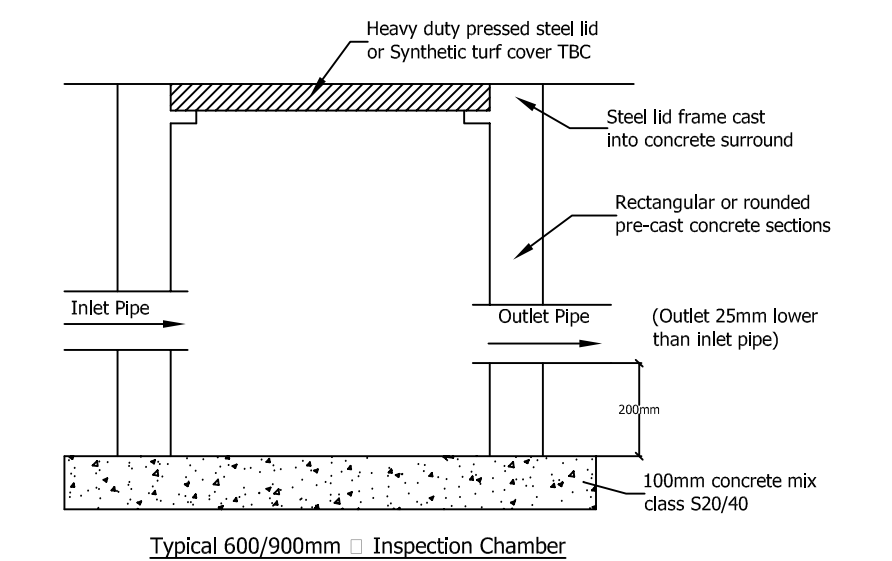
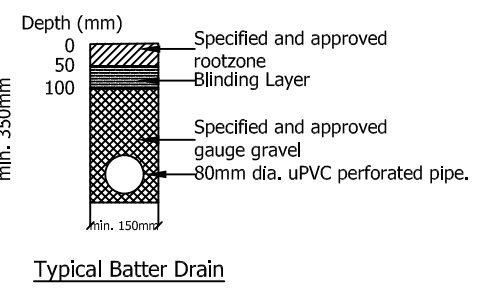
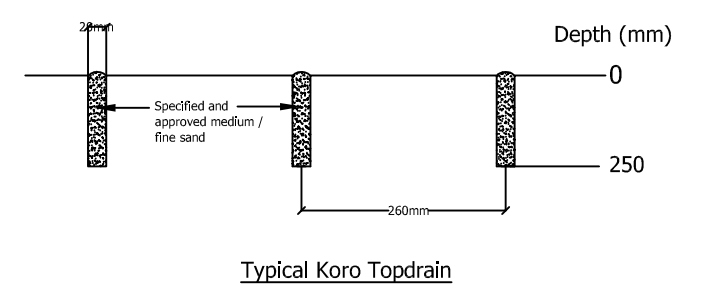
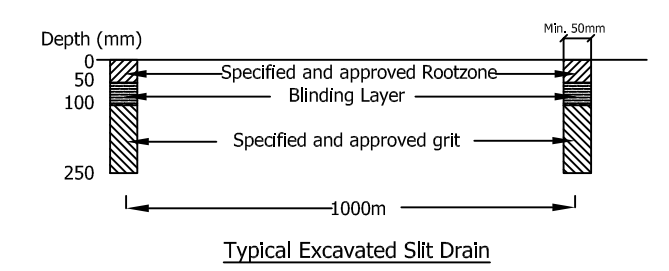
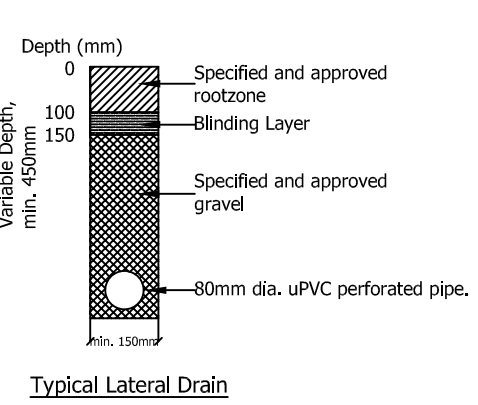
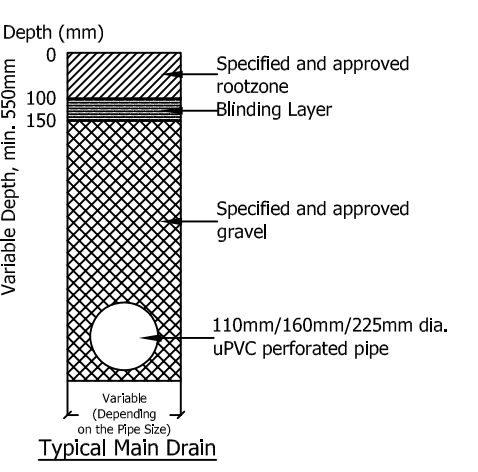
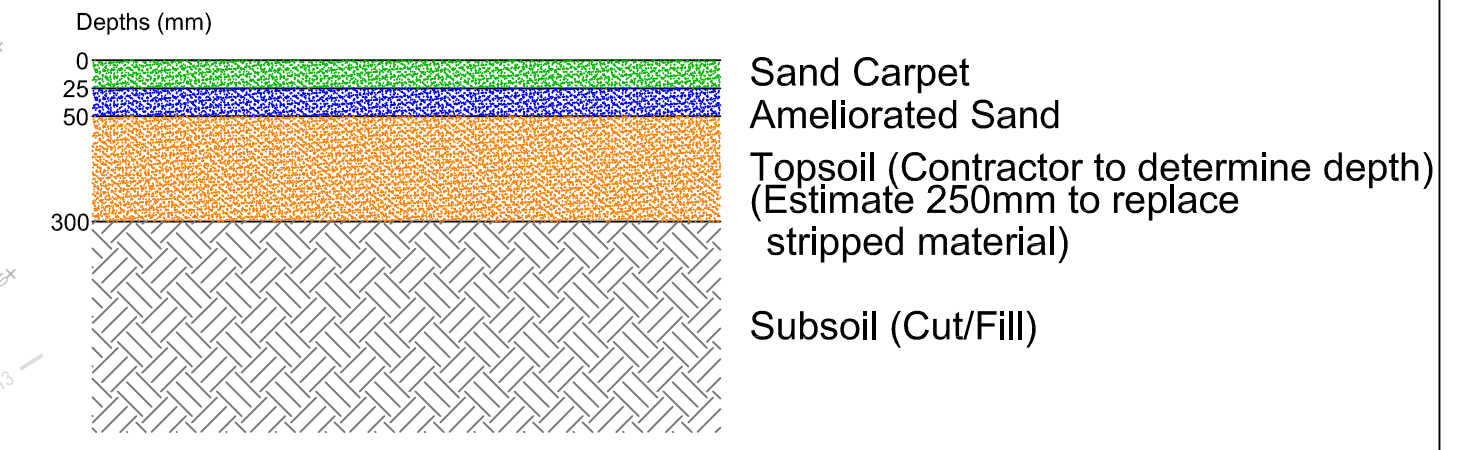


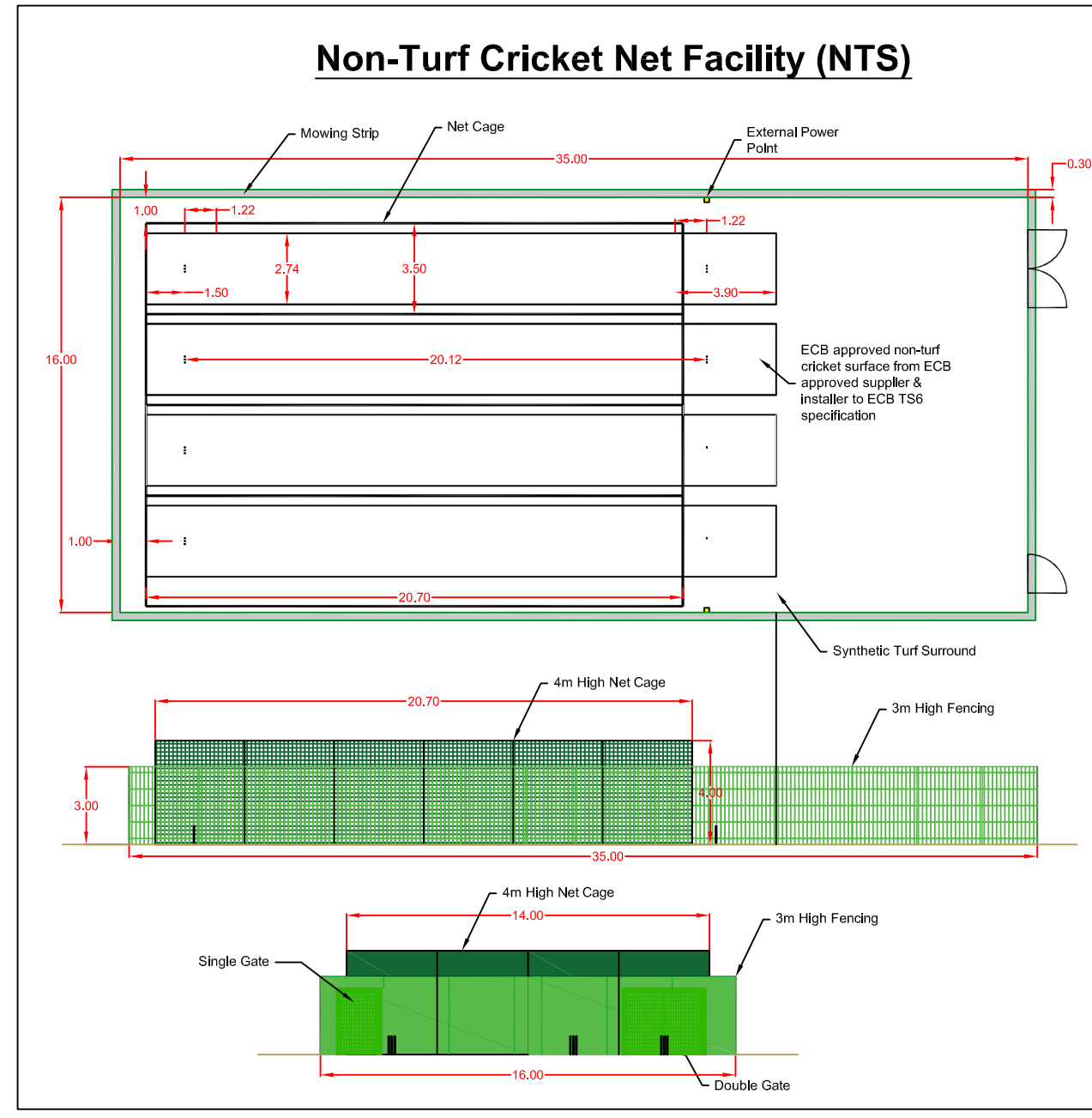
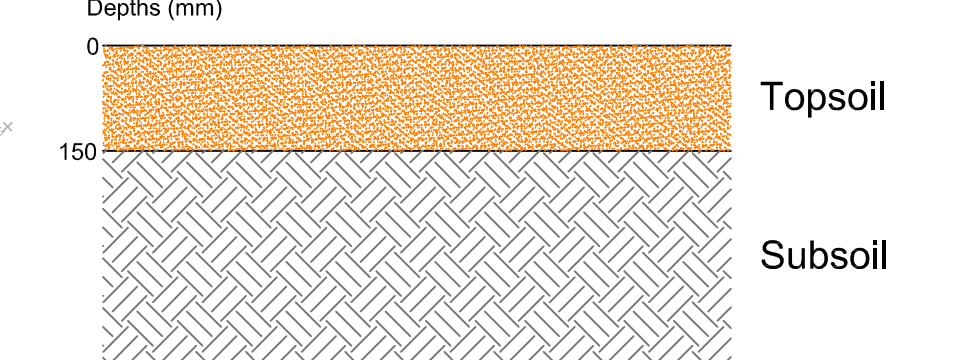
- KEY**
- 800 mm Laterals @ 5m Centres
  - 800 mm Laterals @ 7m Centres
  - Cut off drain
  - 1100 mm Main Drain
  - 1600 mm Main Drain
  - 2250 mm Main Drain
  - Sand Silt/Koro Drains (TBC)
  - 600/900mm Ø IC
  - Connect to Attenuation Tank



**INDICATIVE PROPOSED PITCH PROFILE (NTS)**



**INDICATIVE PROPOSED BATTER PROFILE (NTS)**



Connection for existing sportsfield drainage

**PROPOSED DRAINAGE LAYOUT AND TYPICAL DETAILS**