

NOTES

- Standard detail information is for GUIDANCE ONLY; site specific criteria should be taken into account prior to detailed design.

Ref.	Revision	Date	By	Chk.

AMENDMENTS

Status	Information
--------	--------------------



Highway Services - Design
 Ellerslie Depot
 Crosby
 Isle of Man
 IM4 2HA
 Telephone: (01624) 686681

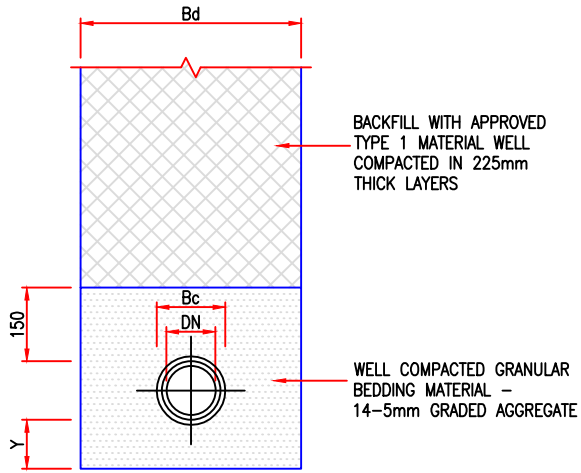


Client: _____

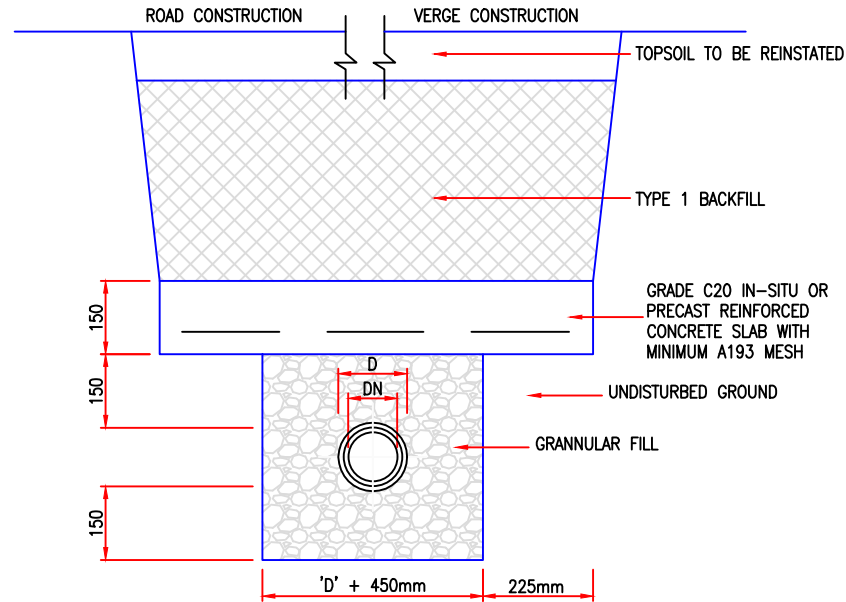
Job Title	Standard Construction Detail
-----------	---------------------------------

Drawing Title	Pipe Bedding Details
---------------	-------------------------

Drawn By S.D.	Date April 2017
Checked By K.P.	Scale Not to Scale
Job Ref	Drawing No SD/019 Rev.



**CLASS S BEDDING DETAIL
(GRANULAR BED & SURROUND)**



**CLASS Z BEDDING DETAIL
(SHALLOW DEPTH PIPE PROTECTION)**

NOMINAL MAXIMUM AGGREGATE SIZE (mm) B.S. 882 GRADING.			
PIPE BORE (mm)	AGGREGATE	BEDDING CLASS	
		S	Z
100	SINGLE SIZE GRADED	10	---
		10 or 14	---
150	SINGLE SIZE GRADED	10 or 14	14 to 5
		14 to 5	---
225	SINGLE SIZE GRADED	10, 14 or 20	14 to 5 or 20 to 5
		14 to 5 or 20 to 5	---
300	SINGLE SIZE GRADED	10, 14 or 20	14 to 5 or 20 to 5
		14 to 5 or 20 to 5	---
400 450 500	SINGLE SIZE GRADED	14 or 20	14 to 5 or 20 to 5
		14 to 5 or 20 to 5	---
		---	---
600 700 800 900	SINGLE SIZE GRADED	14, 20 or 40	14 to 5 or 20 to 5
		14 to 5 or 20 to 5	---
		40 to 5	---

NOMINAL INTERNAL DIA. DN (mm)	ASSUMED EXTERNAL DIA. Bc (mm)	ASSUMED MAX. PERMISSIBLE TRENCH WIDTH Bd (mm)	DIMENSION 'Y' FOR UNIFORM SOILS (mm)
100	130	550	100
150	190	600	100
225	280	700	100
300	388	750	125
375	500	1050	125
450	500	1150	125
525	670	1200	125
600	770	1350	125
750	950	1500	150
900	1120	1900	175

PIPE BEDDING TABLES

25mm EXPANSION JOINT MATERIAL TO FULL AREA OF CONCRETE BED & SURROUND AT ALL PIPE JOINTS	FINAL FORMATION TO BE DISHED TO GIVE FULL DEPTH OF CONCRETE BED AROUND PIPE COLLAR
--	--